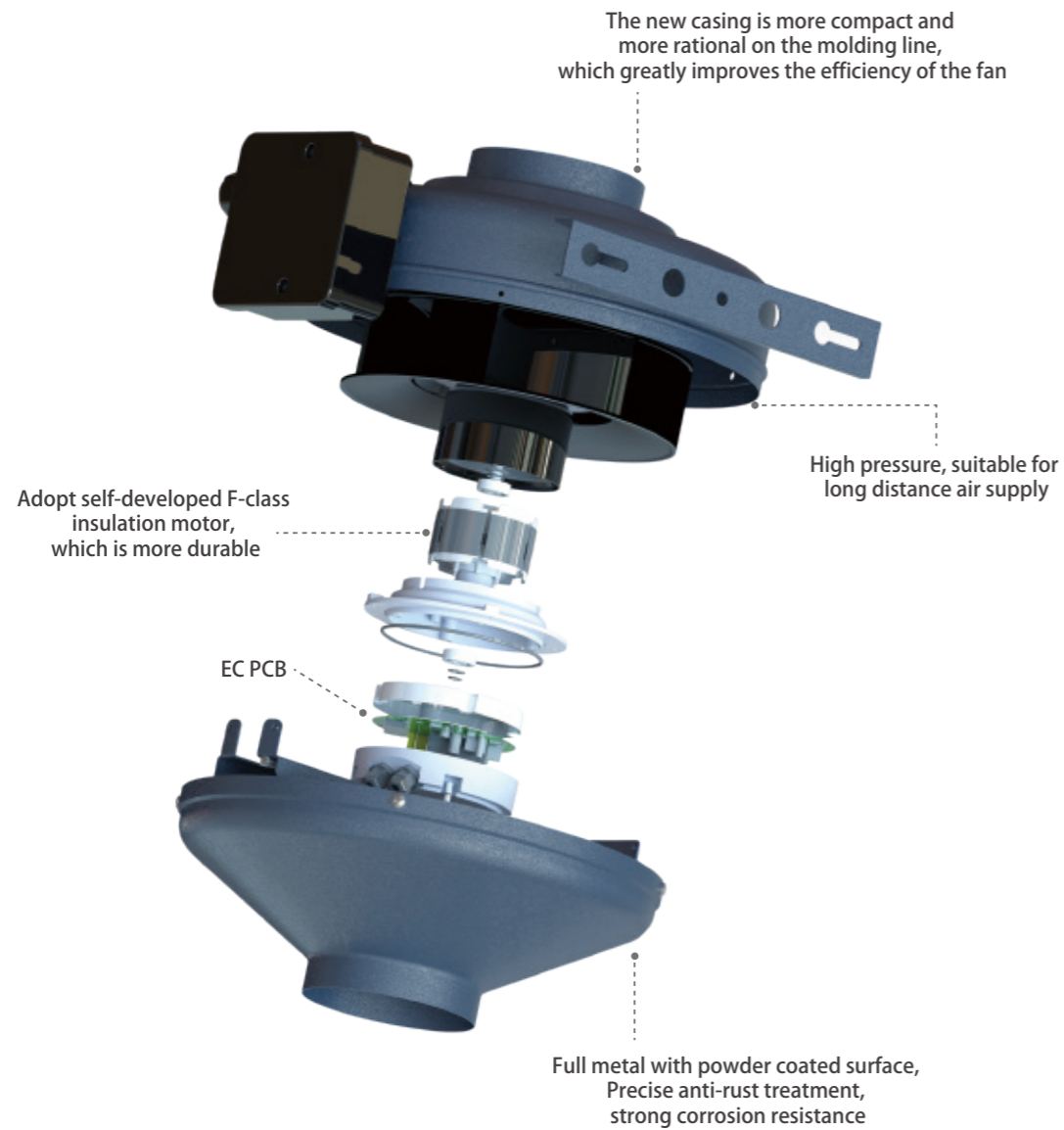


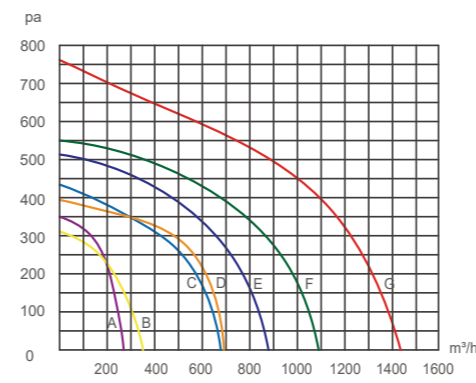


Circular Duct Fan-Painted Sheet Metal

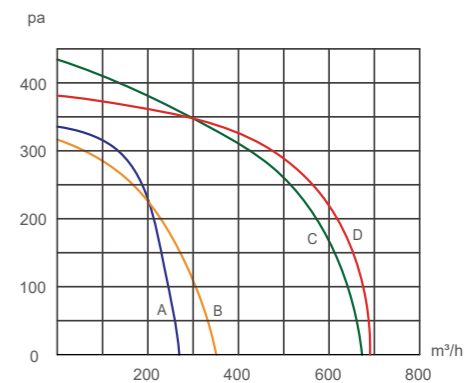
Body Structure Available with AC motor or EC motor



Performance Curve

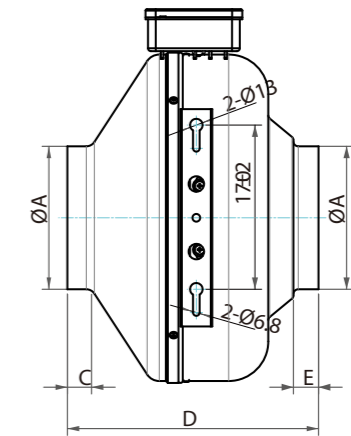
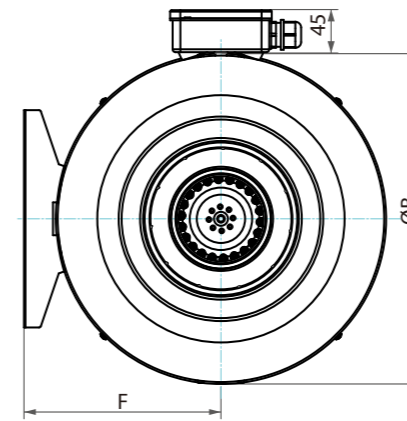


A:DPT10-35B2-A
 B:DPT12-45B2-A
 C:DPT15-55B2-A
 D:DPT16-55B2-A
 E:DPT20-66B2-A
 F:DPT25-66B2-A
 G:DPT31-66B2-A



A:DPT10-35B2-E
 B:DPT12-45B2-E
 C:DPT15-55B2-E
 D:DPT16-55B2-E

Unit Size And Parameters



AC Motor

Voltage/Frequency:220V/50Hz

Unit: mm

Model	ΦA	ΦB	C	D	E	F	Specification	Input power (W)	Air Volume (m³/h)	Noise (dB)	Static Pressure (Pa)	Rotation Speed (rpm)	Net Weight (kg)	Gross Weight (kg)	Duct Dimension (mm)	Applicable Area (m³)	Package Size (mm)
DPT10-35B2-A	98	272	20	190	21	169	190	45	270	65	350	2400	2.8	3.5	Φ95	6-13	330x320x225
DPT12-45B2-A	123	272	20	190	21	169	190	45	350	65	310	2400	2.8	3.5	Φ125	13-18	330x320x225
DPT15-55B2-A	148	342	25	260	26	204	220	104	675	65	430	2400	5.0	5.9	Φ150	18-32	405x390x275
DPT16-55B2-A	158	342	25	260	26	204	220	98	685	68	390	2500	5.0	5.9	Φ160	32-40	405x390x275
DPT20-66B2-A	198	342	25	240	36	204	250	122	940	69	530	2550	5.8	6.7	Φ200	40-50	405x390x275
DPT25-66B2-A	248	342	25	240	36	204	250	133	1090	70	550	2550	5.8	6.7	Φ250	50-60	405x390x275
DPT31-66B2-A	313	382	40	240	40	225	280	180	1430	71	760	2500	7.0	8.2	Φ315	60-70	445x435x255

EC Motor

Voltage/Frequency:220V/50Hz

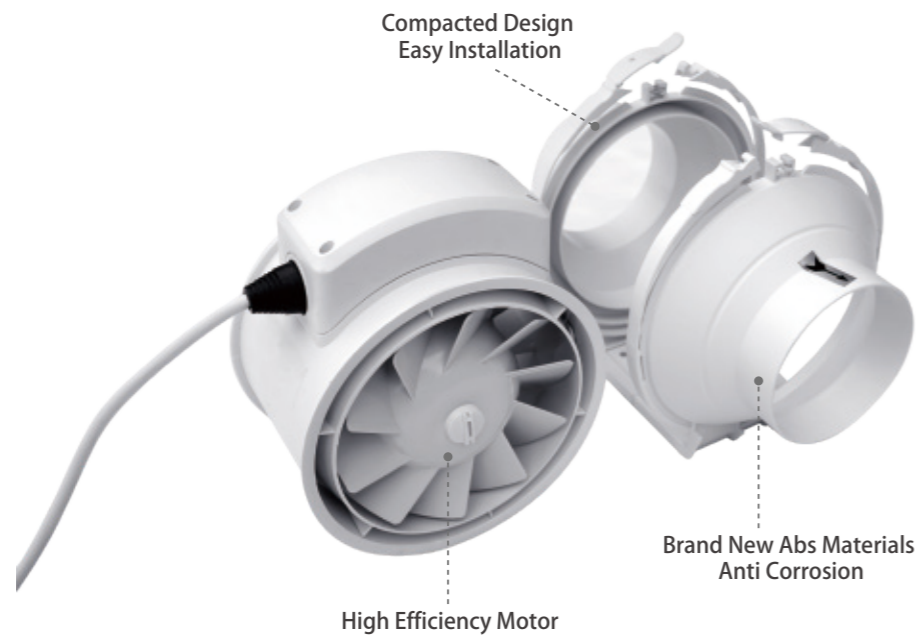
Unit: mm

Model	ΦA	ΦB	C	D	E	F	Specification	Input power (W)	Air Volume (m³/h)	Noise (dB)	Static Pressure (Pa)	Rotation Speed (rpm)	Net Weight (kg)	Gross Weight (kg)	Duct Dimension (mm)	Applicable Area (m³)	Package Size (mm)
DPT10-35B2-E	98	272	20	190	21	169	190	40	250	63	325	2570	2.9	3.7	Φ95	6-13	330x320x225
DPT12-45B2-E	123	272	20	190	21	169	190	42	350	63	315	2600	2.9	3.7	Φ125	13-18	330x320x225
DPT15-55B2-E	148	342	25	260	26	204	220	79	700	63	430	2700	5.1	6.3	Φ150	18-32	405x390x275
DPT16-55B2-E	148	342	25	260	26	204	220	79	700	63	430	2700	5.1	6.3	Φ150	18-32	405x390x275

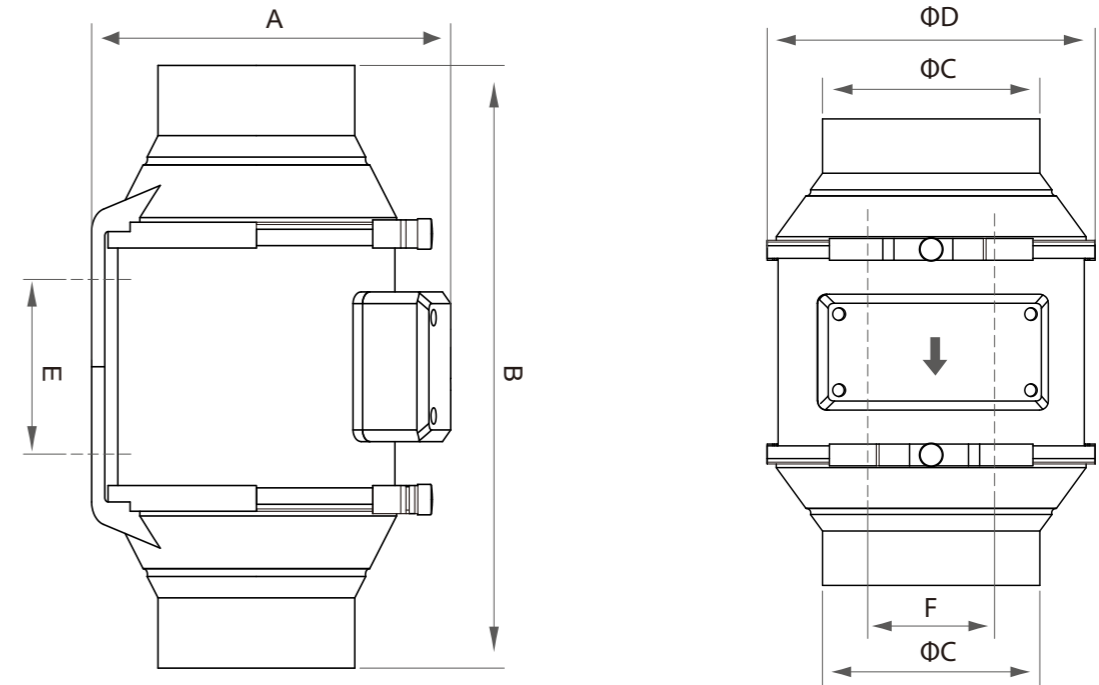
Mixed Flow Fans-Applicable For Household And Commercial Site



Body Structure



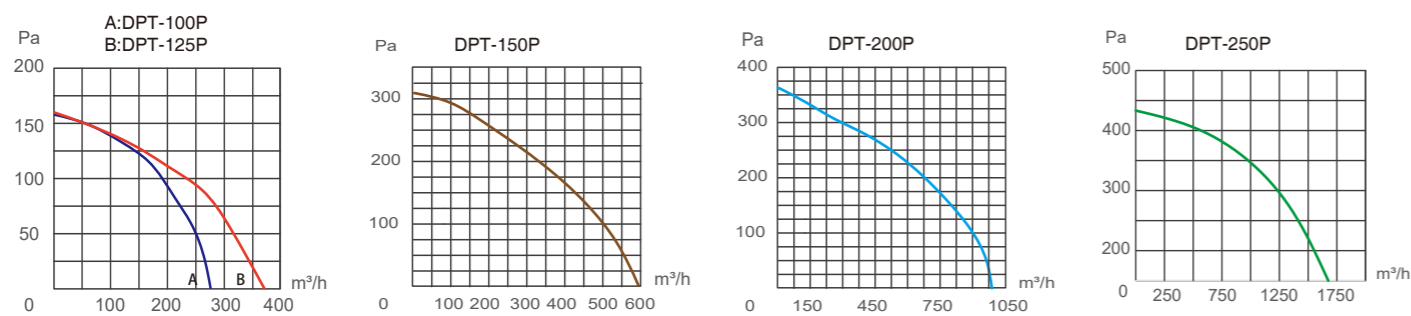
Unit Size And Parameters



Unit: mm

Model	A	B	C	D	E (Installation dimensions)	F (Installation dimensions)
DPT-100P	215	257	100	177	59.5	79.5
DPT-125P	215	257	121	177	59.5	79.5
DPT-150P	243	302	147	202	59.5	93
DPT-200P	270	300	197	220	85	113
DPT-250P	350	378	247	290	115	230

Performance Curve



Model	Voltage/ Frequency (V/Hz)	Input Power (W)		Air Volume (m³/h)		Noise (dB)		Static Pressure (Pa)		Rotation Speed (rpm)		Duct Dimension (mm)	Net Weight (kg)	Gross Weight (kg)	Applicable Area (m²)	Package Size (mm)
		H	L	H	L	H	L	H	L	H	L					
DPT-100P	220V/50Hz	28	25	275	210	32	26	163	136	2200	1680	Φ100	1.4	1.89	10-15	280x205x245
DPT-125P	220V/50Hz	30	26	385	310	34	27	168	148	2200	1750	Φ125	1.4	1.89	18-22	280x205x245
DPT-150P	220V/50Hz	46	42	590	500	42	37	315	252	2410	2100	Φ150	2.2	2.93	28-33	330x235x275
DPT-200P	220V/50Hz	117	114	1000	800	62	54	363	281	2420	2030	Φ200	3.3	4.12	38-43	315x250x305
DPT-250P	220V/50Hz	207	175	1600	1400	64	57	443	320	2500	2320	Φ250	6.9	8	48-53	390x305x378

High Efficiency And Energy Saving, Enthalpy Exchange Rate 73%



Read the room temperature and adjust air speed (2 speeds)

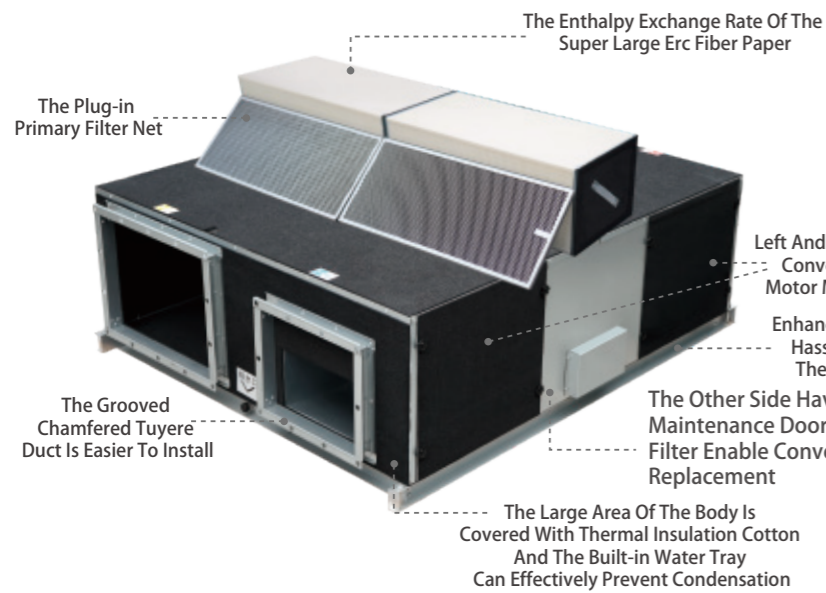


High Efficiency HRV Series (air volume 1500-6000m³)

Body Structure

Standard With Primary, Medium And Hepa Filter For Option. Motor With Over Current Protection

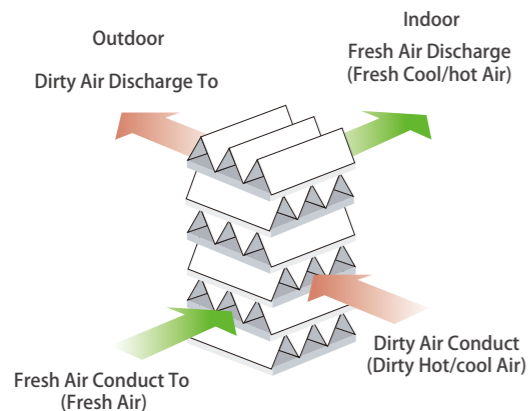
Erc Fiber Paper All Heat Exchange Core



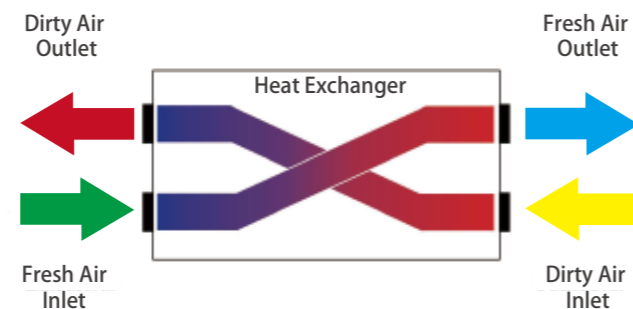
The heat exchange core is mainly composed of paper made of special fibers using a special process. This paper has the characteristics of high moisture permeability, good air tightness, tear resistance, aging resistance, and mildew resistance. The gap is small, and only water vapor molecules with a small particle size can pass through, so as to realize the total heat exchange of the heat exchange core.



Air To Outdoor Through Heat Exchange Core



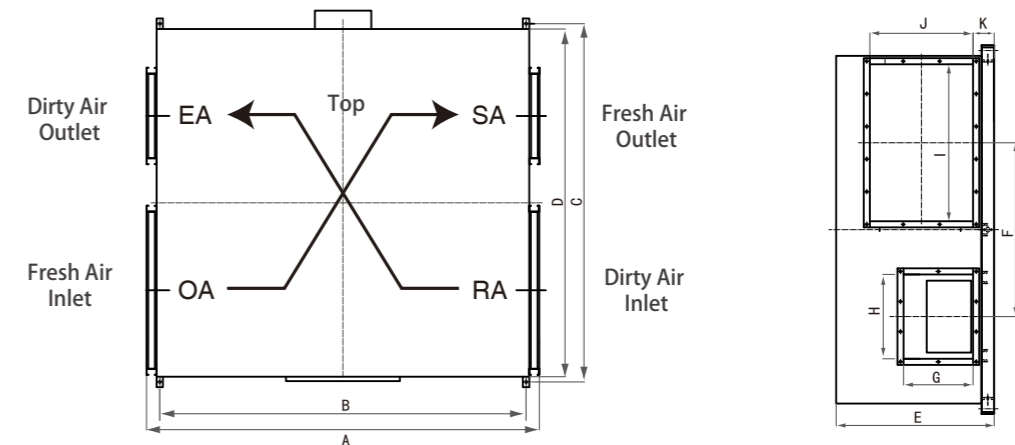
Heat Exchange Principle



Parameters

Model	Voltage/ Frequency		Input Power		Input Current		Air Volume		Static Pressure		Enthalpy Exchange Rate				Heat Recovery Rate		Noise		G.W
	(V/Hz)		(W)		(A)		(m ³ /h)		(Pa)		cooling(%)		heating(%)		(%)		(dB)		(kg)
			H	L	H	L	H	L	H	L	H	L	H	L	H	L	H	L	
NYDZ-QR-1500Y	220/240V	50Hz	750	480	3.82	2.15	1500	1250	200	165	63	68	60	72	67	70	≤55	≤51	102
NYDZ-QR-2000Y	220/240V	50Hz	880	530	4.32	2.36	2000	1350	235	178	62	67	59	70	67	71	≤57	≤52	123
NYDZ-QR-2500Y	220/240/380V	50Hz	1150	730	5.50	3.48	2500	1650	202	161	63	68	60	71	67	71	≤58	≤53	148
NYDZ-QR-3000Y	220/240/380V	50Hz	1180	750	5.77	3.65	3000	2050	215	172	65	69	62	73	67	71	≤59	≤54	148
NYDZ-QR-4000	380V	50Hz	1700		5.3		4000		285		68		71		70		≤65		196
NYDZ-QR-5000	380V	50Hz	3000		8.9		5000		336		68		71		70		≤66		272
NYDZ-QR-6000	380V	50Hz	4880		10.3		6000		352		68		71		70		≤68		298

Unit Size



Unit: mm

Model	A	B	C	D	E	F	G	H	I	J	K
NYDZ-QR-1500Y	1358	1308	905	1002	459	498	230	240	240	230	130
NYDZ-QR-2000Y	1556	1506	1030	1060	518	530	300	320	320	300	100
NYDZ-QR-2500Y	1556	1506	1270	1300	518	715	290	352	480	364	100
NYDZ-QR-3000Y	1556	1506	1270	1300	518	715	290	352	480	364	100
NYDZ-QR-4000	1864	1738	1400	1350	593	675	295	377	597	438	100
NYDZ-QR-5000	2076	1950	1700	1649	750	825	265	360	597	438	102
NYDZ-QR-6000	2076	1950	1700	1649	750	825	295	384	597	438	102

For Air Volume Of 1500-3000, The Lifting Lug Lies In Air Inlet And Outlet

AIR PURIFICATION UNIT

Pm2.5 Purification Rate Reach 99.3%

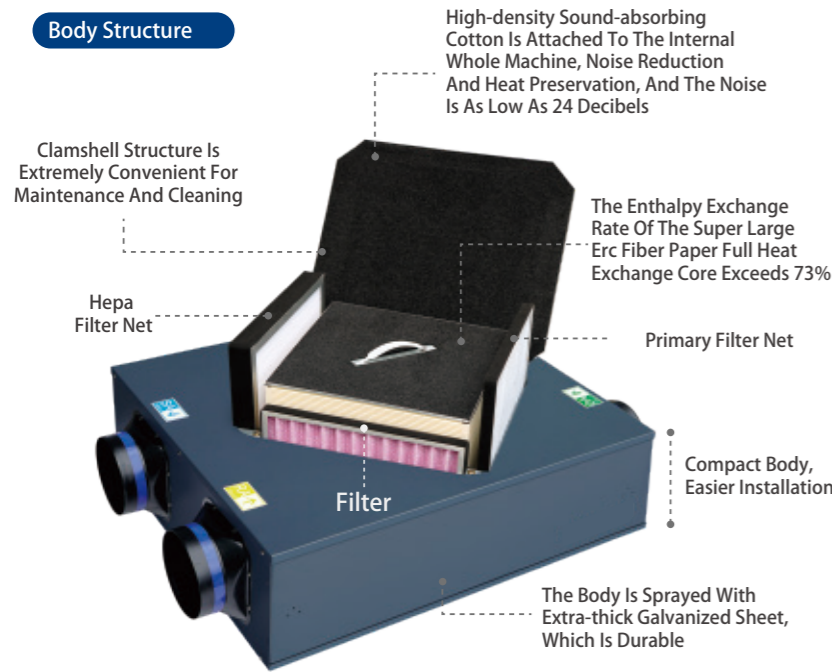


Read the room temperature and adjust air speed (3 speeds)

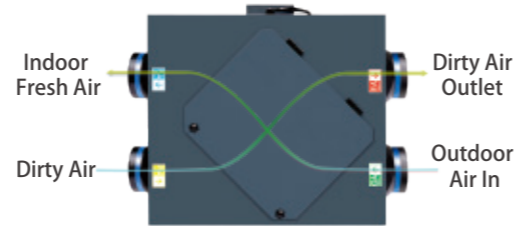


Ultra-thin Heating Recovery Unit with PM2.5 Purifier

Body Structure



Air Direction



EC Motor Available with AC motor or EC motor

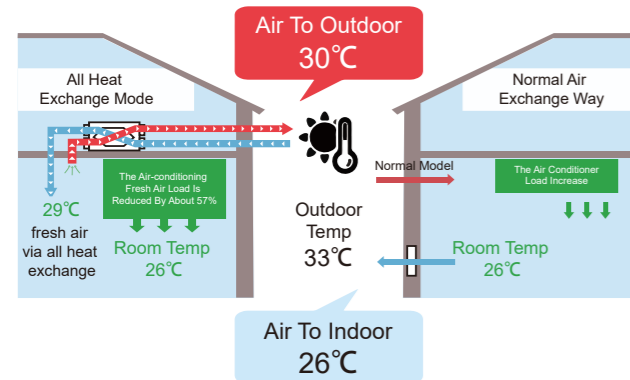


Standard Medium And Hepa Filter Net

Heating recovery concept

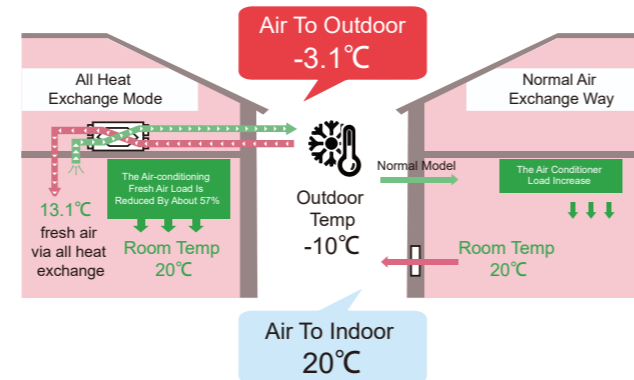
Summer (cooling loses less indoor)

Utilize the cold air energy discharged from the room to pre-cool the hot air outside before sending it into the room

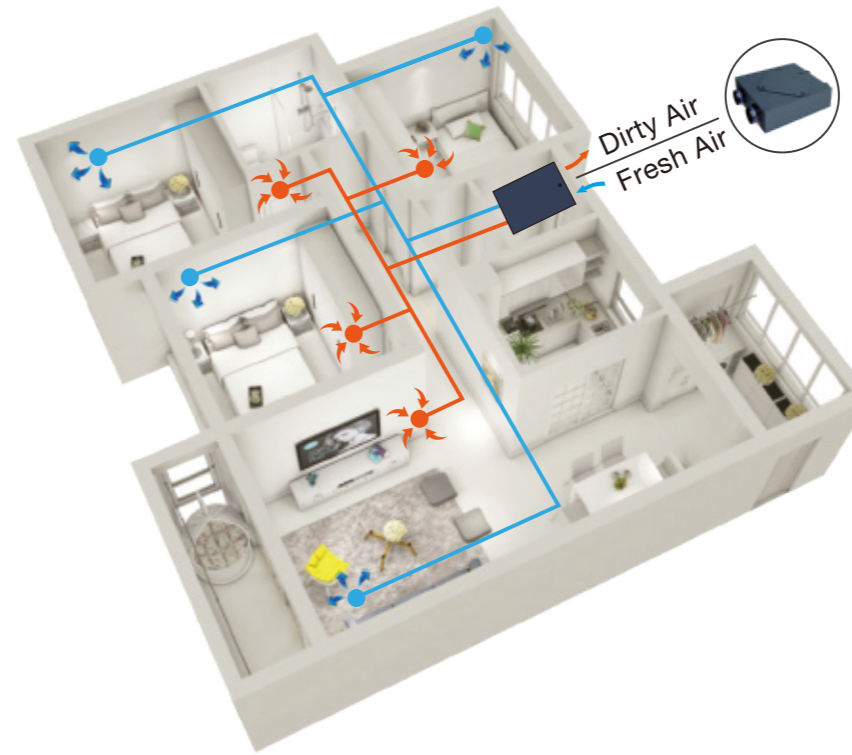


Winter (cooling loses less indoor)

Utilize the warm air energy discharged from the room to pre-heat the cold air outside before sending it into the room



Simulation Installation Plan

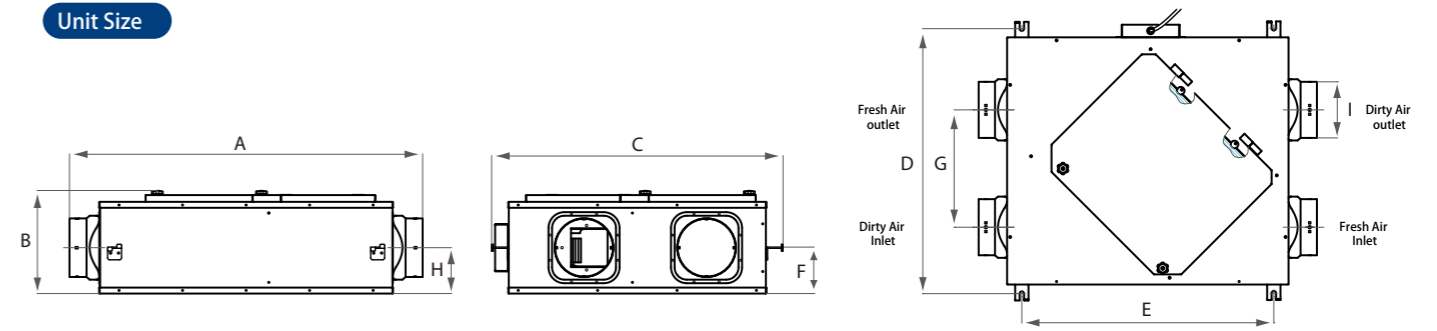


Dirty Air

Fresh Air

- Energy Recovery
- Bidirectional Air Exchange
- Compacted Low Noise Type
- Air Purification

Unit Size



Unit: mm

Model	A External Size	B External Size	C External Size	D Installation Size	E Installation Size	F Installation Size	G Duct Connection Size	H Duct Connection Size	I Duct Connection Size
NYQR1.5DPM1	921	230	734	650	663	102	309	101	Φ100
NYQR2.5DPM1	890	260	734	650	663	117	309	116	Φ150
NYQR3.5DPM1	890	260	734	650	663	117	309	116	Φ150
NYQR3.5DPM1	890	260	734	650	663	117	309	116	Φ150
NYQR5.0DPM1	930	290	782	746	723	132	333	131	Φ200
NYQR6.0DPM1	930	290	782	746	723	132	333	131	Φ200
NYQR6.0DPM1	930	290	782	746	723	132	333	131	Φ200



Ceiling Mounted Fans-All Plastic Housing

Ventilating Fan(Plastic Panel)

Body Structure

New ABS material panel, beautify the appearance design, strong corrosion resistance.



Using highly efficient motor, quality control, start-up speed, durable.

Voltage/Frequency: 220-240V/50Hz, or 110V/60Hz, 110V/50Hz, 220V/60Hz are all available.

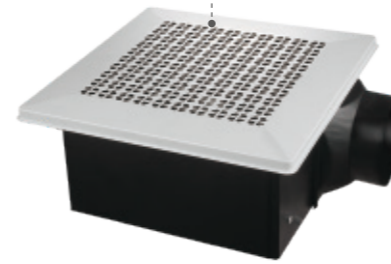
Model	Power	Air Volume	Speed	Static Pressure	Noise	Duct Diameter	Duct Size	Cover Size	Gross weight	Package Size	Usable Area
	(W)	(m³/h)/CFM	(rpm)	(Pa)	(dB)	(mm)	(mm)	(mm)	(kg)	(mm)	(m²)
BPT20-12QS	26	146/86	1200	64	≤44	Φ100	246×246	208×208	1.7	253×253×185	10-14
BPT23-15QS	26	150/88	1280	70	≤44	Φ100	270×270	230×230	1.9	276×276×185	12-16
BPT28-18QS	27	180/106	1000	93	≤46	Φ100	320×320	280×280	2.1	326×326×185	14-19
BPT28-21QS	30	226/133	1230	98	≤47	Φ100	320×320	280×280	2.1	326×326×185	16-21
BPT28-24QS	32	240/141	1320	101	≤49	Φ100	320×320	280×280	2.1	326×326×185	20-25



Ceiling Mounted Fans-Metal Cover Type

Body Structure

All Metal
Powder Coated Metal Surface Treatment
Precision Anti-rust Treatment
Strong Corrosion Resistance

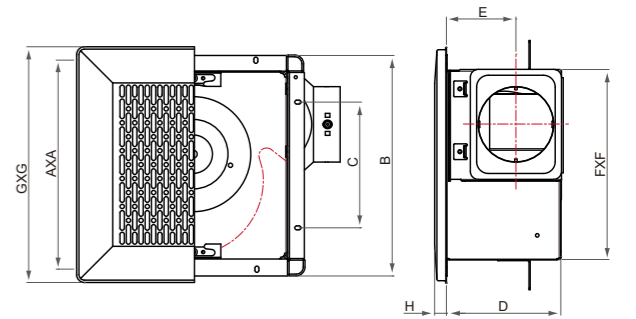


High-efficiency motor,
full quality control, durable



Built-in metal,
aluminum wind wheel,
sufficient air volume

Patented check valve
to prevent backflow



Unit Size And Parameters

Unit: mm

Model	AxA	B	C	D	E	FxH	GxG	H	Input power	Air Volume	Noise	Static Pressure	Rotation Speed	Net Weight	Gross Weight	Hole Size	Duct Dimension	Applicable Area	Package Size
									(W)	(m³/h)/CFM	(dB)	(Pa)	(rpm)	(kg)	(kg)	(mm)	(mm)	(m³)	(mm)
BPT10-11	280x280	266	160	145	88	240	300	15	15	120/71	33	65	772	4.1	4.5	250x250	Φ100	5-9	346x312x200
BPT10-23	280x280	266	160	145	88	240	300	15	21	150/88	36	83	802	4.1	4.5	250x250	Φ100	7-13	346x312x200
BPT12-24	310x310	296	180	178	134	270	330	15	28	210/124	38	108	746	5.7	6.2	280x280	Φ125	10-16	402x357x226
BPT12-34	310x310	296	180	178	134	270	330	15	38	270/159	40	135	804	5.7	6.2	280x280	Φ125	13-18	402x357x226
BPT12-35	310x310	296	180	178	134	270	330	15	45	330/194	41	142	928	5.7	6.2	280x280	Φ125	15-20	402x357x226
BPT15-44A	340x340	336	200	190	128	310	370	15	45	400/235	43	178	884	6.8	7.5	320x320	Φ150	18-24	436x390x248
BPT15-44B	340x340	336	200	190	128	310	370	15	70	500/294	44	186	1063	6.8	7.5	320x320	Φ150	21-27	436x390x248
BPT20-54A	400x400	386	220	250	151	370	430	15	190	600/352	47	145	884	9.1	10	380x380	Φ200	25-31	490x450x319
BPT20-54B	400x400	386	220	250	151	370	430	15	205	800/471	47	163	1003	9.1	10	380x380	Φ200	28-35	490x450x319
BPT20-64A	400x400	386	220	250	151	370	430	15	220	1000/588	50	158	1050	9.1	10	380x380	Φ200	32-40	490x450x319
BPT20-64B	400x400	386	220	250	151	370	430	15	235	1200/706	53	172	1089	9.1	10	380x380	Φ200	40-50	490x450x319

Ceiling Mounted Fans-Plastic Cover Type Ultra Silent



Body Structure

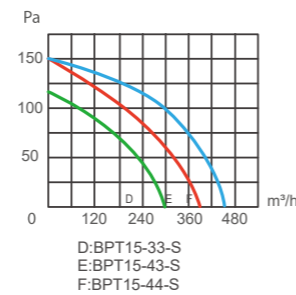
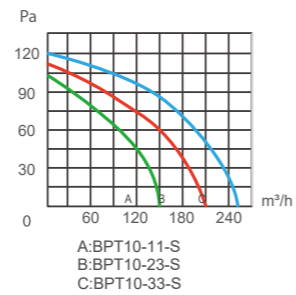
High-efficiency Motor,
Full Quality Control, Durable

New Abs Plastic Metal

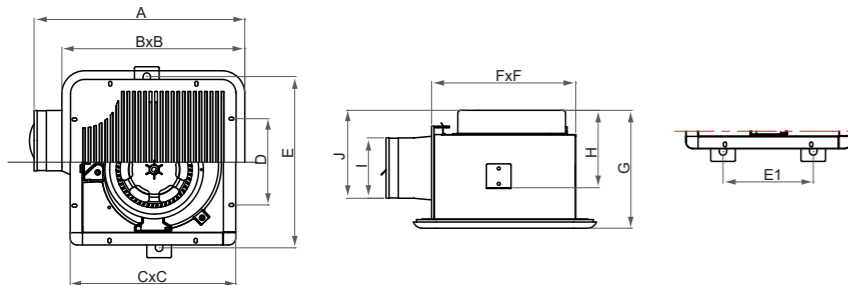
Metal Body, precision
Anti-rust Treatment Strong
Corrosion Resistance



Performance Curve



Unit Size And Parameters



Unit: mm

Model	A	BxB	CxC	D	E	E1	FxF	G	H	ΦI	J
BPT10-11-S	315	275	246	110	249	-	205	190	124	100	140
BPT10-23-S	345	295	271	140	274	-	230	190	124	100	140
BPT10-33-S	345	295	271	140	274	-	230	190	124	100	140
BPT15-33-S	365	330	301	140	304	150	260	235	157	150	190
BPT15-43-S	365	330	301	140	304	150	260	235	157	150	190
BPT15-44-S	415	380	351	190	354	190	310	235	157	150	190

Model	Voltage/ Frequency	Air Volume	Noise	Static Pressure	Rotation Speed	Net Weight	Gross Weight	Duct Dimension	Applicable Area	Hole Size	Package Size
	(W)	(m³/h)	(dB)	(Pa)	(rpm)	(kg)	(kg)	(mm)	(m²)	(mm)	(mm)
BPT10-11-S	14	150	33	100	660	2.8	3.2	Φ100	6-12	210x210	341x291x215
BPT10-23-S	16	200	35	110	747	3.2	3.6	Φ100	8-16	240x240	365x315x225
BPT10-33-S	20	250	39	120	860	3.2	3.6	Φ100	10-20	240x240	365x315x225
BPT15-33-S	38	300	33	120	550	4.2	4.6	Φ150	12-24	270x270	390x352x260
BPT15-43-S	40	380	37	150	680	4.2	4.6	Φ150	15-30	270x270	390x352x260
BPT15-44-S	41	450	38	150	770	5.6	6.0	Φ150	18-44	320x320	440x401x260

Knowledge of commercial kitchen extractor fans selection

■ Air volume determination:

Calculate air volume by the number of furnace ends: the reference value of air volume of each furnace head is 2000-2500m³/h

For example: the number of furnace ends in the kitchen is 6

The air volume of the fan will be $Q=6 \times 2500=15000\text{m}^3/\text{h}$

Calculate air volume by the length of the hood: hood air volume reference by 2000-2500m³/h per meter. For example: the length of the kitchen hood is 6 meters

The air volume of the selected fan will be $Q=6 \times 2500=15000\text{m}^3/\text{h}$

■ Determination of air speed of duct:

Noise interference causing by excessive air follow to the surrounding area and the efficiency of the wind speed of the main duct will be both considered. Normally takes duct air speed by 9-15m/s.

■ Air duct shape selection requirements:

Air duct normally has two kinds: circular and rectangle. Comparing with the same cross-sectional area, the air flow resistance of the circular type duct will be smaller, and stronger. So circular type will be recommended in cross section diameter $\leq 300\text{mm}$, cross-section area $\leq 0.07\text{m}^2$.

The rectangle type only be selected when the cross-section area $> 0.07\text{m}^2$.

■ Determination of air duct cross-section area:

For example, the number of furnace end in the kitchen is 6, and the selected air volume of the fan is $Q=2500 \times 6=15000\text{m}^3/\text{h}$.

Set the wind speed of the main duct:

The selected wind speed is: $V=10\text{m/s}$

Calculate the cross-sectional area of the duct according to the determined fan air volume:

So $A=Q/v \times 3600=15000/10 \times 3600=0.417\text{m}^2$

Calculate the duct section size (BXH) according to the calculated duct sectional area and shape

The height or width of the air duct can be set according to the site. For example the height of the main air duct is set as $h=0.7$ and $A=0.42\text{m}^2$ in calculation

According to: $(b \times h) = A$

$(B \times 0.7) = 0.42\text{m}^2$, air duct width: $B=0.6\text{m}$

■ Determine the position and size of the hood suction port

The position of the hood suction port should be set directly above the frying oven. Considering that the wind speed of the suction port should be equal to that of the main air duct, the length and width of the smoke hood suction port are generally set as 250*300mm, maximum size 300*300mm.



MINI MULTI - WING HIGH EFFICIENCY KITCHEN CENTRIFUGAL FAN



External motor, high temperature resistance, long service life;



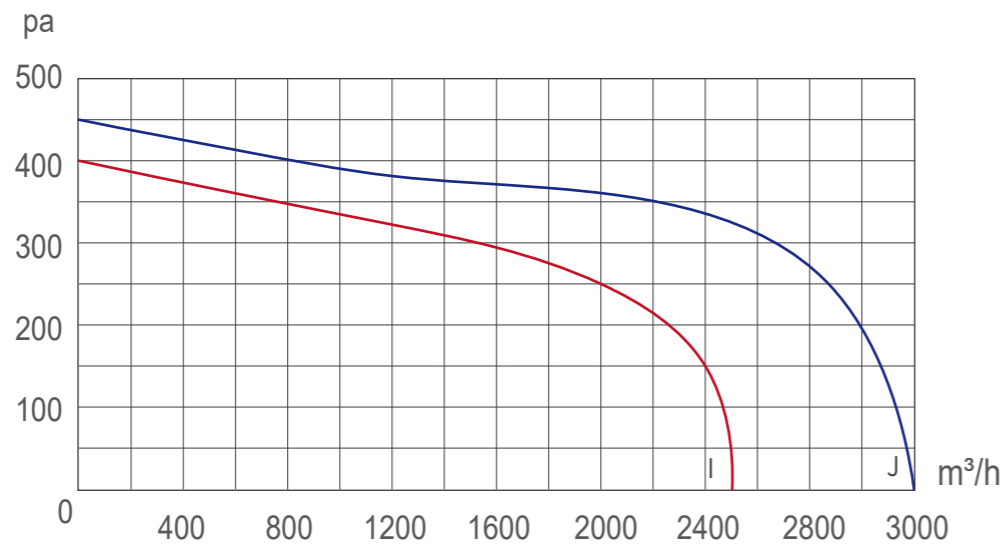
All-metal material, powder sprayed surface, strong corrosion resistance;



Mini and flexible, can be applied to the kitchen with small area.

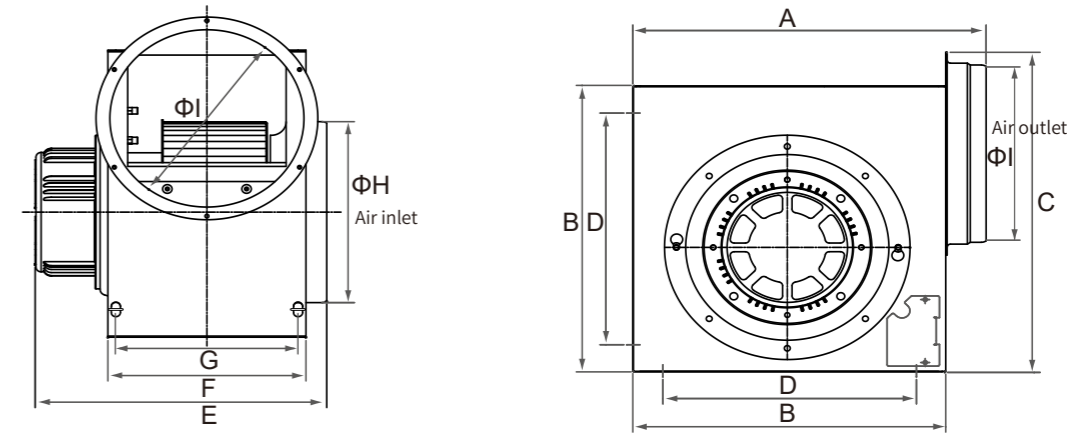


PRODUCT PERFORMANCE CURVE



I: DPT25-250A J: DPT30-300A

PRODUCT DIMENSIONS



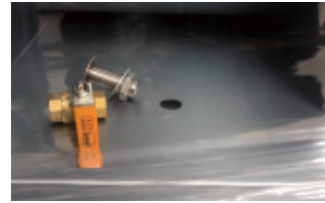
Unit: mm

Model	A	B	C	D (Pitch of radial)	E	F	G (Pitch of axial)	H (Air inlet)	ΦI (Air outlet)
DPT25-250A	446	396	442	320	369	250	230	248	248
DPT30-300A	456	396	442	320	408	280	260	298	298

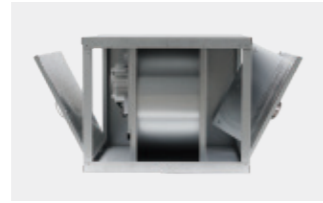
PRODUCT PARAMETERS

Model	Voltage/ Frequency	Input Power	Air Volume	Noise Level	Static Pressure	RPM	NW	GW	Duct Diameter	Application Area	Packing Dimension
	(V/Hz)	(W)	(m³/h)	(dB)	(Pa)	(rpm)	(kg)	(kg)	(mm)	(m²)	(mm)
DPT25-250A	220V/50Hz	950	2500	68	400	1450	22	23	$\Phi 250$	90-110	493x422x500
DPT30-300A	220V/50Hz	1250	3000	70	450	1450	24.65	25.5	$\Phi 300$	110-135	493x422x500

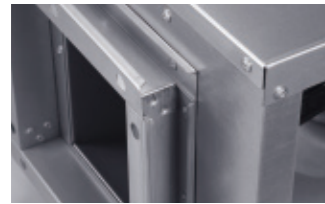
Cabinet Fan - Direct Drive



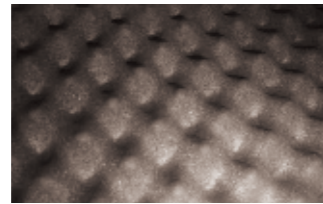
■ Grease outlet design to avoid accumulation of greasy dirty;



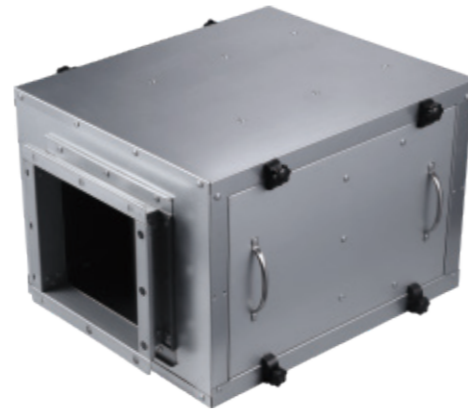
■ Super thick galvanized sheet, durable, Left and right double doors, easy maintenance;



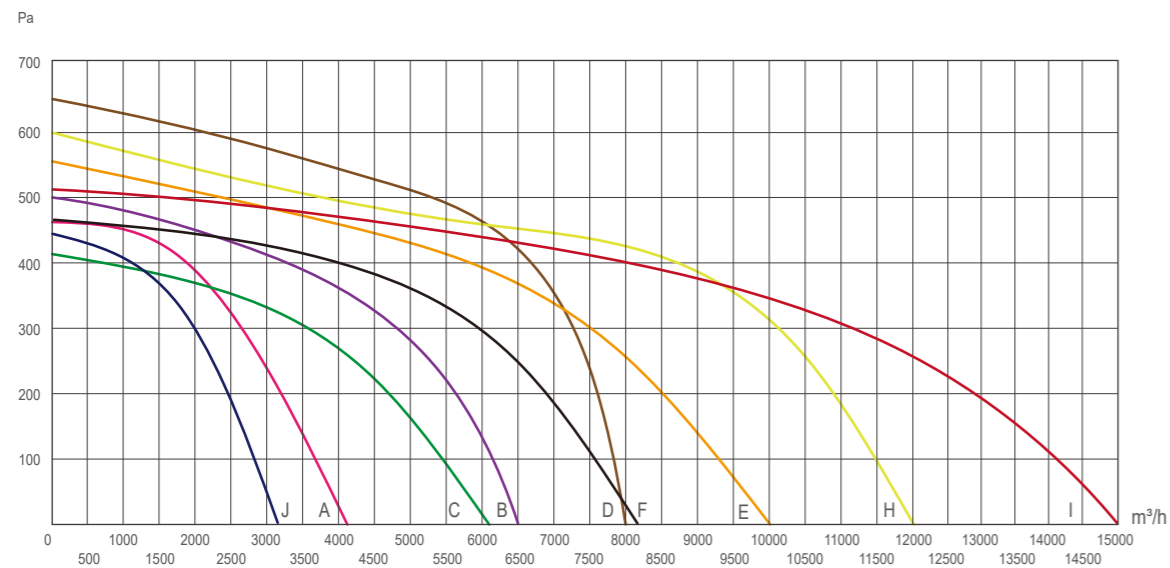
■ Chamfering groove outlet, easy to install;



■ Built-in silencing cotton, lower noise.

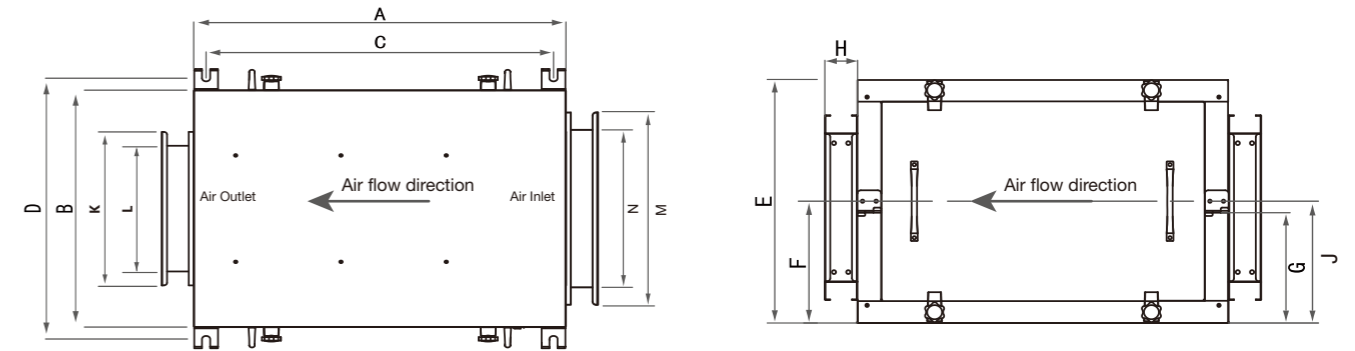


PERFORMANCE CURVE



A:KTJ-25-42CF/KTJ-25-42DCF D:KTJ-29-80CF H:KTJ-35-120CF
 B:KTJ-26-65CF E:KTJ-35-100CF I:KTJ-40-150CF
 C:KTJ-31-62DCF F:KTJ-31-82 J:KTJ-23-32CF/KTJ-23-32DCF

PRODUCT DIMENSION



Unit: mm
 Outer diameter of air inlet/outlet (Including the flange, wide of the flange : 30)

型号	A	B	C	D	E	F	G	H	J	K		L		M		N	
										a	b	a	b	a	b	a	b
KTJ-23-32CF	520	590	483	632	436	182	203	48	218	349	331	289	271	548	386	488	326
KTJ-23-32DCF	520	590	483	632	436	182	203	48	218	349	331	289	271	548	386	488	326
KTJ-25-42CF	520	590	483	632	436	182	203	48	218	396	331	336	271	548	386	488	326
KTJ-25-42DCF	520	590	483	632	436	182	203	48	218	396	331	336	271	548	386	488	326
KTJ-26-65CF	640	700	570	748	534	188	38	48	267	408	333	348	273	658	473	598	413
KTJ-31-62DCF	640	740	570	788	534	192	38	48	267	408	333	348	273	700	473	640	413
KTJ-31-82CF	700	740	630	786	600	253	38	48	300	408	464	348	404	718	560	658	500
KTJ-29-80CF	700	740	630	786	600	253	38	48	300	408	464	348	404	718	560	658	500
KTJ-35-100CF	810	785	740	833	667	246	38	48	333	445	455	385	395	758	555	698	495
KTJ-35-120CF	810	885	740	933	667	246	38	48	333	445	453	385	393	858	558	798	498
KTJ-40-150CF	800	850	670	910	784	310	0	48	420	478	538	420	482	745	698	685	638

PRODUCT PARAMETERS

Model	Voltage/ Frequency	Input Power	Impeller Diameter	Air Volume	Full Pressure	Noise Level	NW	GW	Packing Dimension
	(V/Hz)	(kW)	(mm)	(m³/h)	(Pa)	(dB)	(kg)	(kg)	(mm)
KTJ-23-32CF (4 poles motor)	380/50	0.84	230	3200	440	≤62	36	40	680×680×460
KTJ-23-32DCF (4 poles motor)	220/50	0.78	230	3200	440	≤62	36	40	680×680×460
KTJ-25-42CF (4 poles motor)	380/50	0.84	250	4200	460	≤65	36	40	680×680×460
KTJ-25-42DCF (4 poles motor)	220/50	0.78	250	4200	460	≤65	36	40	680×680×460
KTJ-26-65CF (4 poles motor)	380/50	2.2	260	6500	500	≤70	43	48	780×770×555
KTJ-31-62DCF (6 poles motor)	220/50	1.1	315	6200	418	≤64	43	48	780×810×555
KTJ-31-82CF (6 poles motor)	380/50	1.7	315	8200	466	≤66	58	61	860×840×745 (Wooden pallet)
KTJ-29-80CF (4 poles motor)	380/50	3	290	8000	636	≤72	58	61	860×840×745 (Wooden pallet)
KTJ-35-100CF (6 poles motor)	380/50	2.2	350	10000	553	≤68	80	85	925×895×830 (Wooden pallet)
KTJ-35-120CF (6 poles motor)	380/50	2.5	350	12000	596	≤70	83	89	930×1000×805 (Wooden pallet)
KTJ-40-150CF (6 poles motor)	380/50	2.7	400	15000	505	≤76	95	106	970×890×915 (Wooden pallet)

11-62A LOW NOISE CENTRIFUGAL FAN

Kitchen Exhaust

Default delivery: right-rotated 90°

11-62A series low noise centrifugal fans are designed and developed into multi-wing wind wheels with capacitive blades and wide blades under the premise of referring to advanced technology at domestic and abroad in order to adapt to the main trend of current market development, purifying industry, environmental protection and noise reduction. This series of fans with low noise, low rotational speed, high efficiency, large air flow, small vibration characteristics. They are ideal solution in application of ventilation in environmental protection, and engineering facilities.

11-62-5A-RIGHT 90°-6-5.5kW-380V

- Power Voltage
- Pole number and power of motor
- Rotating angle: right rotated: 90°
- Direct driving mode A
- Motor number: Wheel Diameter 500mm
- Model number: 11-62 series



PRODUCT FEATURE



■ Impeller with multi-wing front bend design, large air flow, high efficiency and low exposure characteristics, the shaft with European standard cone sleeve, easy installation and disassembly, the impeller as a whole. High quality galvanized steel is made of steel, more solid and reliable, long service life.



■ All copper wire winding motor, high quality bearings, the motor is H protection grade, good sealing, stable performance, longer service life.

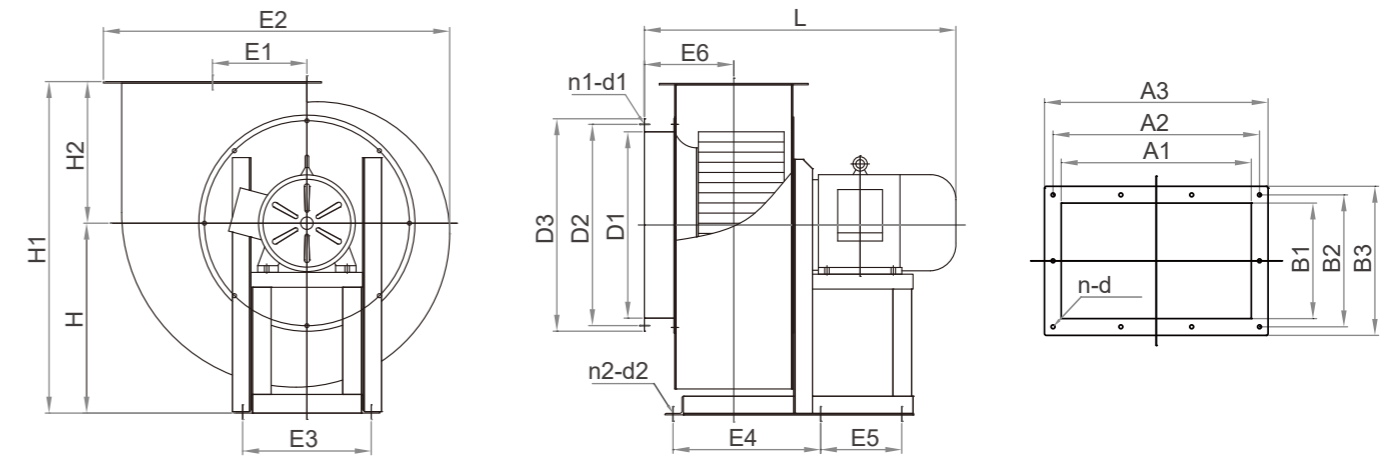


■ The shell design structure is scientific, easy to install, can achieve 0°, 90°, 180° interchangeable installation, shell surface applied spraying technology, coating adhesion, easy to clean, not easy rusted.



■ The fan drive mode is direct motor drive, simple and compact structure, more simple maintenance.

PRODUCT DIMENSIONS

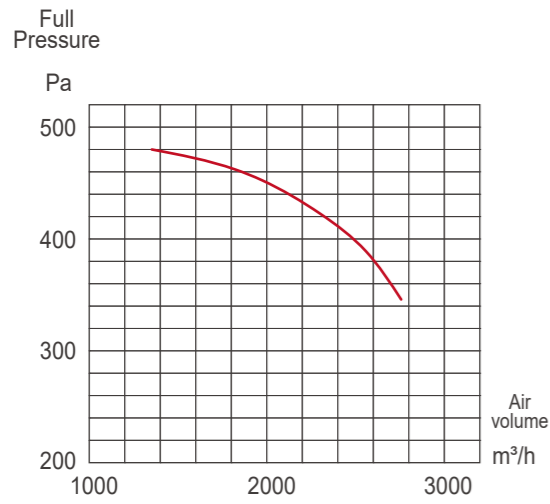


Unit: mm

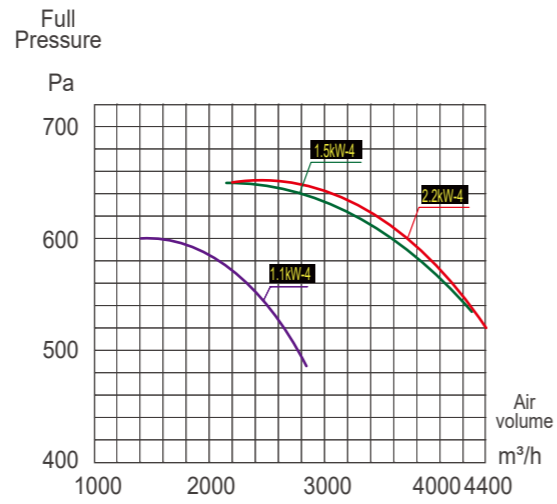
Model Number	Air Outlet							Air Inlet			
	A1	A2	A3	B1	B2	B3	n-d	D1	D2	D3	n1-d1
11-62-2.8A	230	260	290	150	180	210	8-φ8	280	320	340	6-φ8
11-62-3A	305	340	375	235	270	305	8-φ8	300	350	380	8-φ8
11-62-3.5A	350	385	420	250	285	320	8-φ8	350	390	420	8-φ8
11-62-4A	385	420	455	275	310	345	8-φ8	400	440	470	8-φ8
11-62-4.5A	460	495	530	310	345	380	8-φ8	450	490	520	8-φ8
11-62-5A	510	545	595	310	355	400	8-φ8	500	540	570	8-φ8
11-62-6A	600	640	680	350	390	430	12-φ10	600	640	670	12-φ10
11-62-6.5A	665	705	745	400	440	480	14-φ10	650	715	750	12-φ10

Model Number	H	H1	H2	E1	E2	E3	E4	E5	E6	L	n2-d2	Motor Input Power	Weight (Kg)
11-62-2.8A	330	545	220	135	565	220	160	140	130	460	4-φ10	0.75kW-4	-
						245	220	220		575		1.1kW-4	45
11-62-3A	350	580	230	165	575	245	220	220	170	600	4-φ10	1.5kW-4	47
						260	230	230		640		2.2kW-4	55
						245	230	230		610		1.1kW-6	49
11-62-3.5A	405	650	245	185	645	260	240	240	180	650	4-φ10	2.2kW-4	57
						260	240	240		650		3kW-4	59
						290	260	260		700		2.2kW-6	75
11-62-4A	445	750	305	205	720	330	260	300	210	750	4-φ12	3kW-6	89
						290	260	260		700		4kW-4	79
						330	260	300		750		5.5kW-4	94
						330	300	300		825		4kW-6	113
11-62-4.5A	480	805	325	240	850	330	300	300	230	825	4-φ12	5.5kW-6	120
						330	300	300		785		5.5kW-4	106
						330	300	300		825		7.5kW-4	116
						330	295	300		950		4kW-6	142
11-62-5A	510	860	350	265	950	330	295	300	235	1050	4-φ12	5.5kW-6	169
						330	295	300		1050		7.5kW-4	160
11-62-6A	590	1000	410	290	990	405	420	550	250	975	4-φ12	7.5kW-6	-
						405	420	550		1030		11kW-6	-
11-62-6.5A	665	1130	465	336	1215	405	525	260	280	1035	4-φ12	11kW-6	234
						415	525	280		1105		15kW-6	285

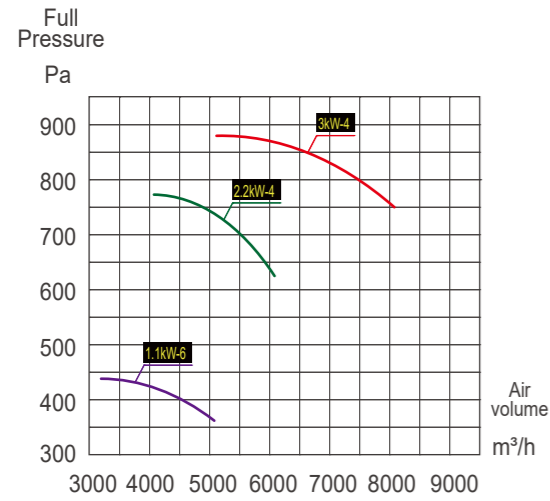
PERFORMANCE CURVE



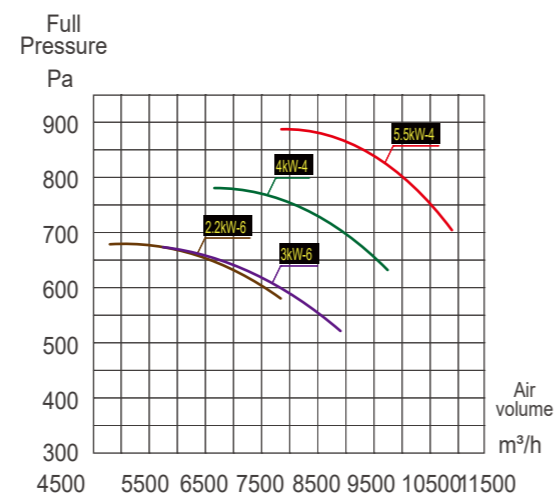
11-62-2.8A



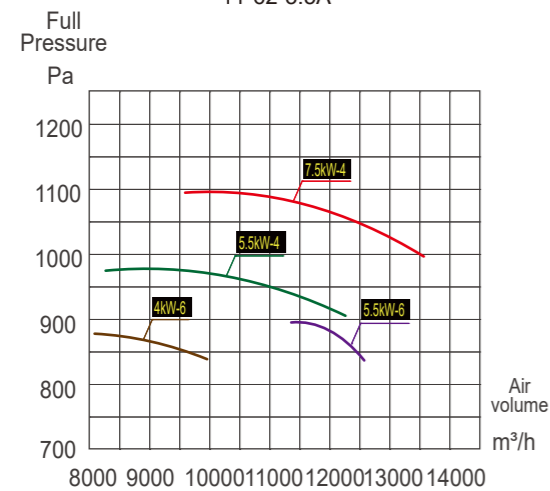
11-62-3A



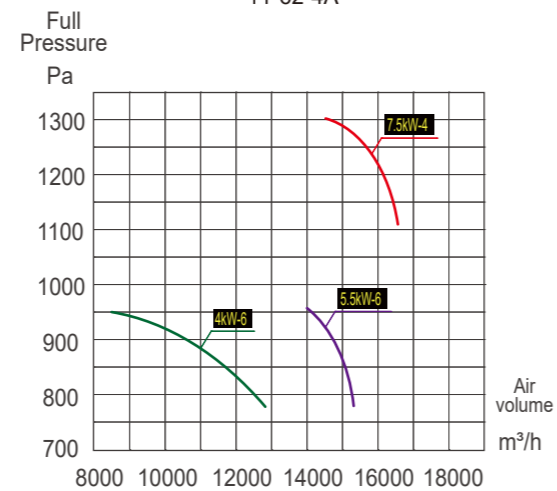
11-62-3.5A



11-62-4A

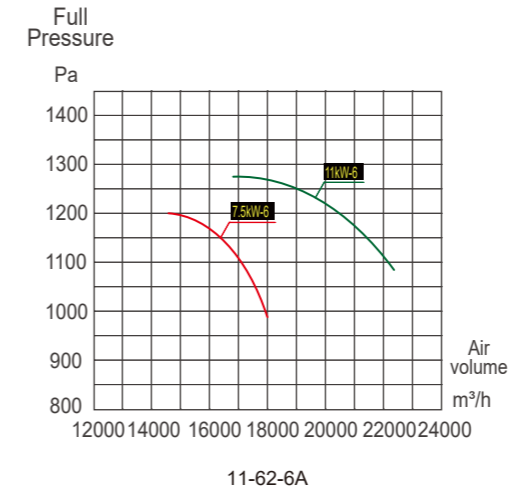


11-62-4.5A

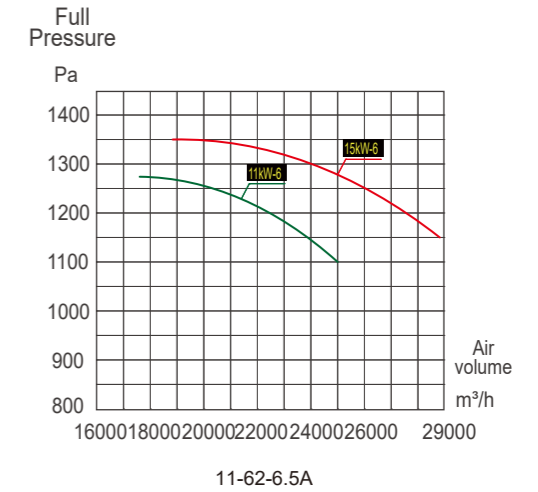


11-62-5A

PRODUCT PERFORMANCE CURVE



11-62-6A



11-62-6.5A

PRODUCT PARAMETERS

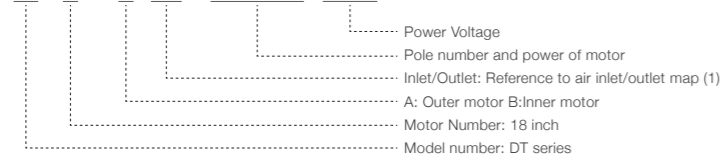
Model Number (No.)	RPM (r/min)	Air Volume (m ³ /h)	Full Pressure (Pa)	Noise Level dB(A)	Match motor	Voltage/Frequency
11-62-2.8A	1400	1370-2760	485-345	≤72	0.75kW-4	220V/380V50Hz
11-62-3A	1420	1408-2850	600-485	≤75	1.1kW-4	50Hz 220V/380V
	1420	2150-4270	654-535	≤76	1.5kW-4	
	1420	2200-4460	650-520	≤78	2.2kW-4	
11-62-3.5A	910	3230-5080	438-367	≤75	1.1kW-6	380V50Hz
	1420	4030-6058	770-620	≤80	2.2kW-4	50Hz 220V/380V
	1420	5075-8065	880-750	≤82	3kW-4	
11-62-4A	960	4860-7807	684-586	≤76	2.2kW-6	50Hz 380V
	960	5742-8830	670-520	≤78	3kW-6	
	1420	6650-9723	783-630	≤82	4kW-4	
	1420	7850-10853	890-705	≤83	5.5kW-4	
11-62-4.5A	960	8175-9930	896-837	≤75	4kW-6	50Hz 380V
	960	11350-12600	880-837	≤75	5.5kW-6	
	1420	8250-12250	973-912	≤82	5.5kW-4	
	1420	9652-13515	1098-997	≤83	7.5kW-4	
11-62-5A	960	8530-12860	780-950	≤74	4kW-6	50Hz 380V
	960	14120-15410	783-960	≤75	5.5kW-6	
	1420	14521-16500	1305-1118	≤81	7.5kW-4	
11-62-6A	960	14600-18000	1200-990	≤77	7.5kW-6	50Hz 380V
	960	16800-22315	1270-1085	≤78	11kW-6	
	960	17800-25000	1270-1100	≤77	11kW-6	
11-62-6.5A	960	17800-25000	1270-1100	≤77	11kW-6	50Hz 380V
	960	18800-28800	1350-1150	≤78	15kW-6	

DT centrifugal fan series Kitchen Exhaust

DT centrifugal fan series are a replacement of lampblack extractor, mainly apply to hotel, inn, restaurant's ventilation solution, with features of high air volume, low noise, stable working, high temperature toleration. It's available with single speed or two speeds. User can chose base on different sites and demands.

★ Frequency conversion motor available

DT-18"-A (1) -4-5.5kW-380V



Version A: Outer Motor



Version B: Inner Motor

PRODUCT PERFORMANCE CURVE

PRODUCT FEATURE



■ The structure of the fan was designed in compact and artistic outlook, made by high quality galvanized steel for long life service.



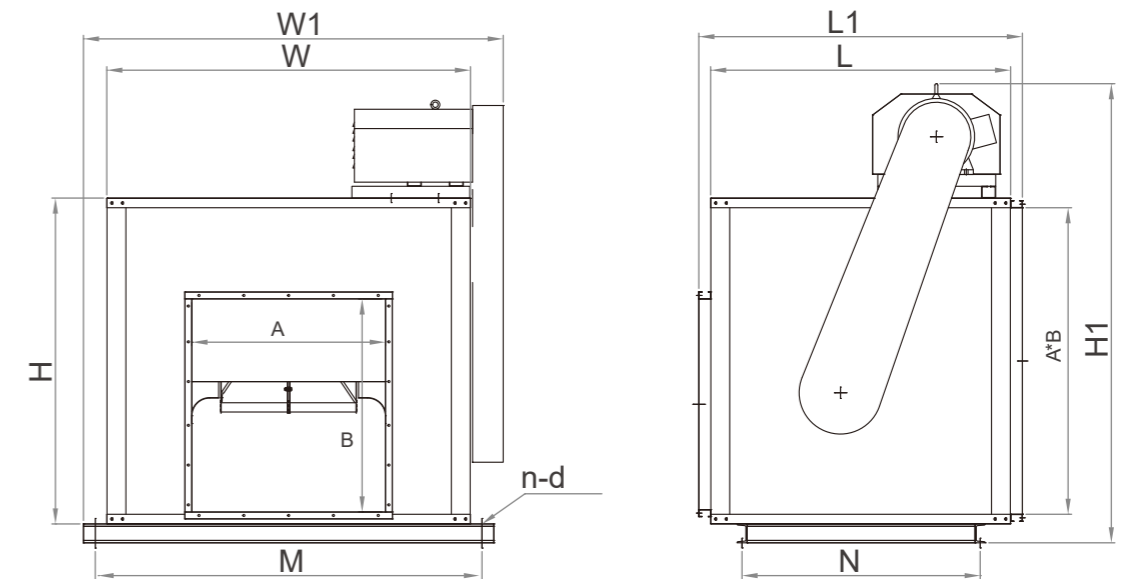
■ The impeller was designed in forward multi-wing type, made by high quality galvanized steel, anti-corrosion. The main shaft made in high quality steel 45#, with chrome plating surface treatment, anti-rusted, more applicable.



■ Using belt driving, can adjust the specifications by changing the speed of motor, covering the deviation of model choosing.

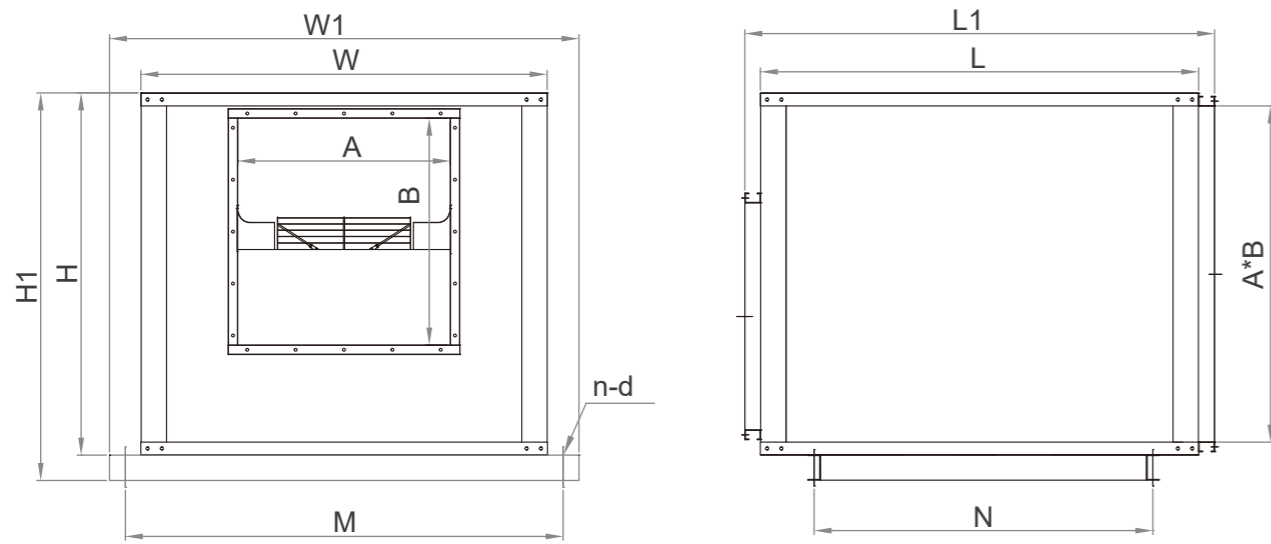


■ The cabinet has a big-size maintaining door for easy job of maintaining. The maintaining door use removable disassembly structure for easy disassembly.



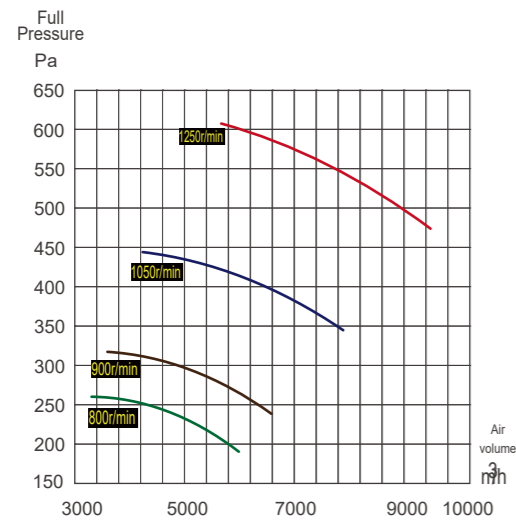
Model Number	Product dimension						Installing Dimension			Air inlet		Air Outlet	
	L	W	H	L1	W1	H1	M	N	n-d	A	B	A	B
DT-12"	650	860	630	750	1080	1030	960	380	4-φ 10	700	550	400	365
DT-15"	725	980	760	825	1200	1200	1080	455	4-φ 10	820	680	460	440
DT-18"	890	1100	870	990	1360	1285	1200	620	4-φ 12	940	790	550	505
DT-20"	1000	1190	1020	1200	1420	1490	1290	730	4-φ 12	1030	940	615	560
DT-22"	1070	1280	1100	1170	1500	1590	1380	800	4-φ 12	1120	1020	670	715
DT-25"	1170	1400	1230	1270	1620	1720	1500	900	4-φ 12	1240	1150	770	800
DT-28"	1270	1540	1380	1370	1760	2000	1640	1000	4-φ 12	1380	1300	820	900
DT-30"	1340	1640	1440	1440	1820	2015	1740	1070	4-φ 15	1480	1360	890	925
DT-33"	1600	1800	1580	1440	1970	2210	1900	1330	4-φ 15	1640	1500	1020	1000
DT-36"	1900	1900	1680	1640	2100	2420	2000	1630	4-φ 15	1740	1600	1075	1045

PRODUCT PERFORMANCE CURVE

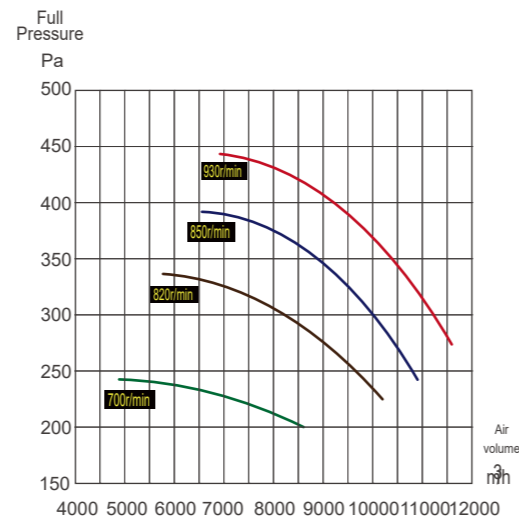


Model Number	Product dimension						Installing Dimension			Air inlet		Air Outlet	
	L	W	H	L1	W1	H1	M	N	n-d	A	B	A	B
DT-12"	1000	860	630	1100	1060	680	960	780	4-φ 10	700	550	400	365
DT-15"	1150	980	760	1250	1180	810	1080	920	4-φ 10	820	680	460	440
DT-18"	1250	1100	870	1350	1300	930	1200	1000	4-φ 12	940	790	550	505
DT-20"	1300	1190	1020	1400	1390	1080	1290	1040	4-φ 12	1030	940	615	560
DT-22"	1380	1280	1140	1480	1480	1220	1380	1160	4-φ 12	1120	1020	670	715
DT-25"	1600	1400	1230	1700	1600	1310	1500	1370	4-φ 12	1240	1150	770	800
DT-28"	1800	1540	1380	1900	1740	1460	1640	1560	4-φ 12	1380	1300	820	900
DT-30"	1850	1640	1440	1950	1840	1500	1740	1600	4-φ 15	1480	1360	890	925
DT-33"	2100	1800	1580	2200	2000	1660	1900	1860	4-φ 15	1640	1500	1020	1000
DT-36"	2200	1900	1680	2300	2100	1740	2000	1960	4-φ 15	1740	1600	1075	1045

PRODUCT PERFORMANCE CURVE

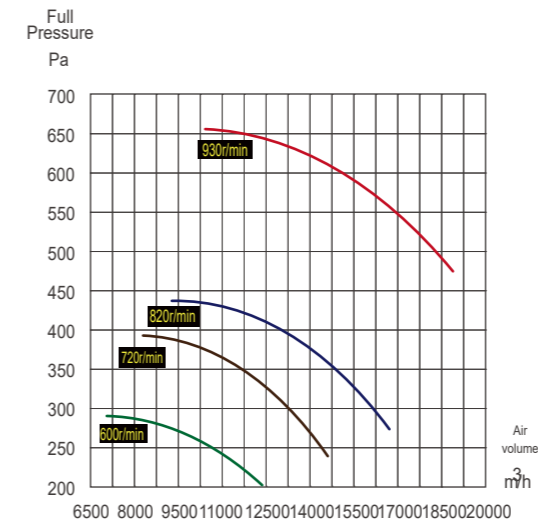


DT-12"

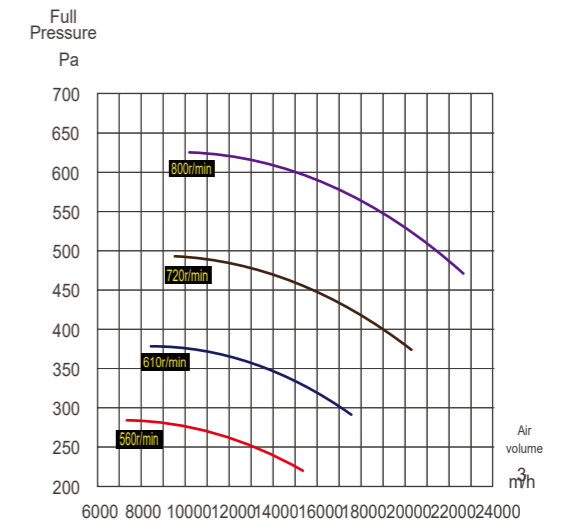


DT-15"

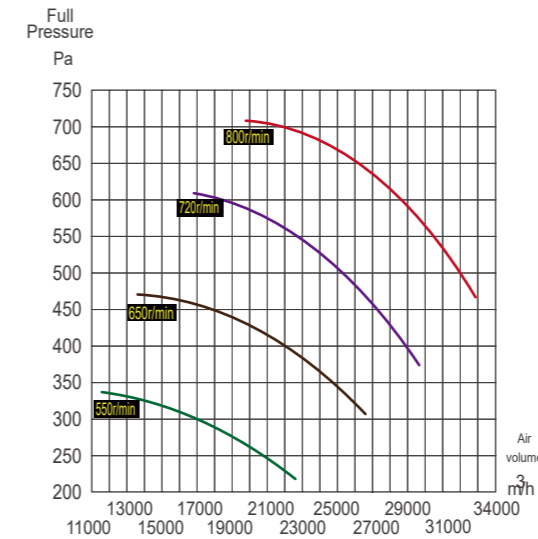
PRODUCT PERFORMANCE CURVE



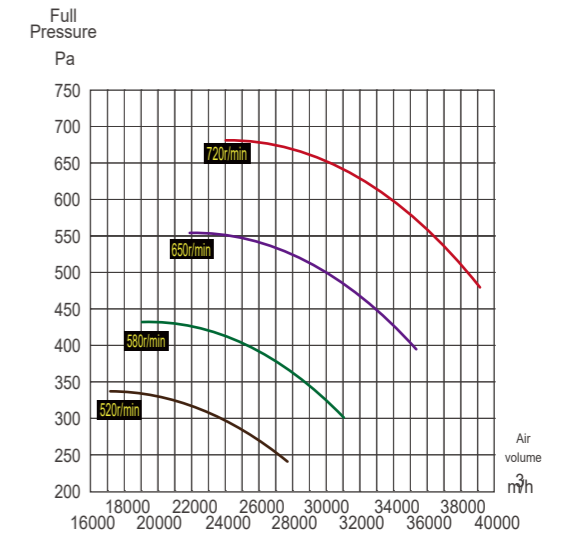
DT-18"



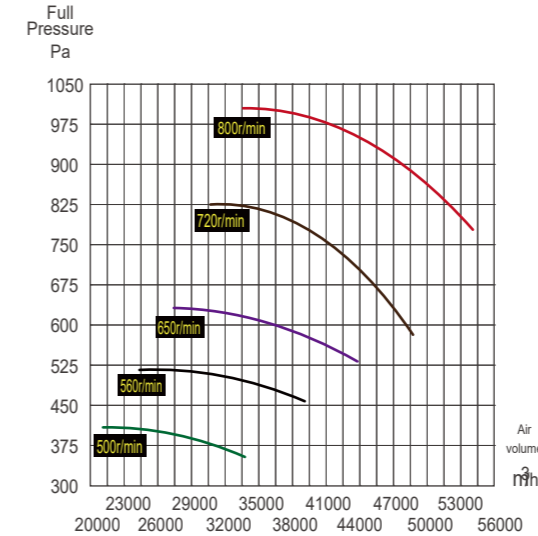
DT-20"



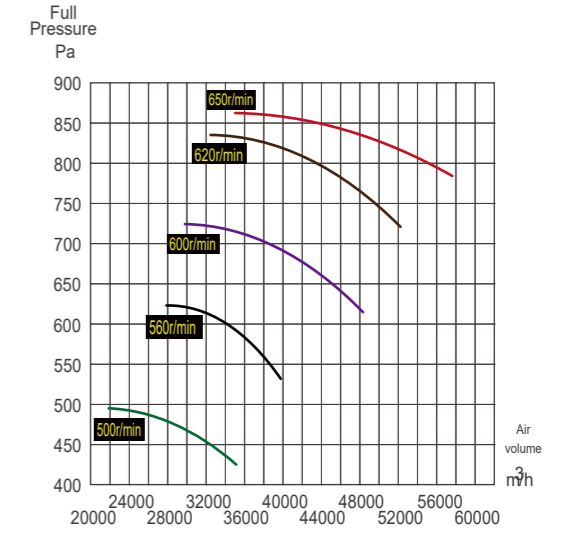
DT-22"



DT-25"

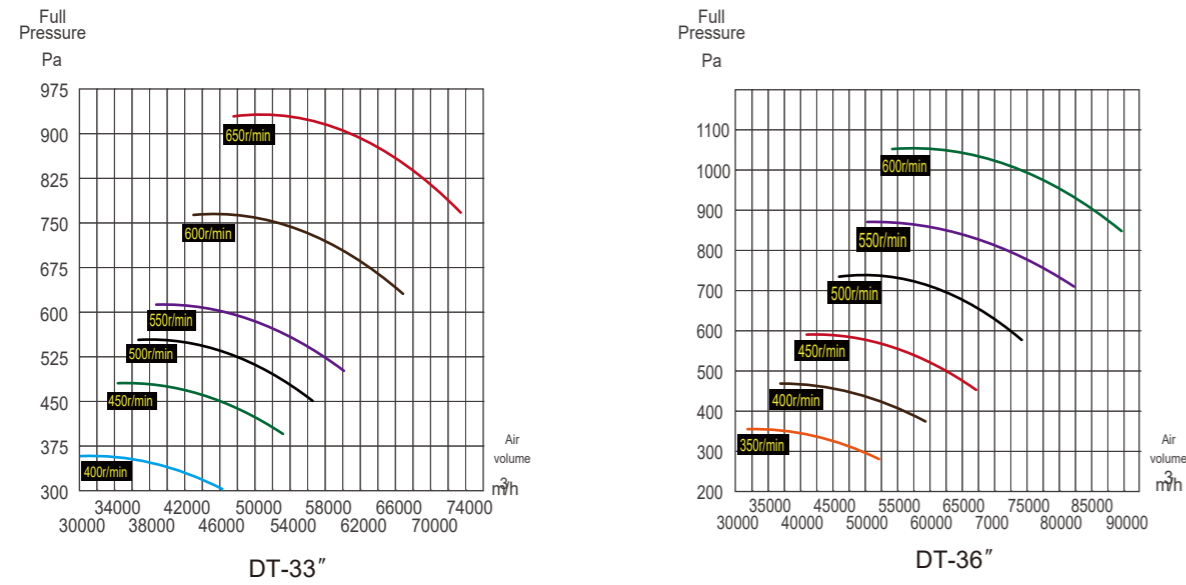


DT-28"



DT-30"

PRODUCT PERFORMANCE CURVE



PRODUCT PARAMETERS

Frequency:50Hz

Unit: mm

Model Number	Voltage (V)	Motor Power (kW)	RPM (r/min)	Air Volume (m³/h)	Full pressure (Pa)	Noise level (dB)A	Weight (kg)
DT-12"	380V	1.1	800	3292-5505	302-203	≤ 60	95
	380V	1.5	900	3725-6136	352-268	≤ 62	
	380V	2.2	1050	4135-6825	499-368	≤ 65	
	380V	3	1250	5223-8534	765-553	≤ 67	
DT-15"	380V	1.5	700	4225-7365	285-222	≤ 60	133
	380V	2.2	820	4925-8465	332-273	≤ 63	
	380V	3	850	6465-10779	499-353	≤ 66	
	380V	4	930	7560-12135	586-496	≤ 67	
DT-18"	380V	2.2	600	7255-11964	323-245	≤ 62	149
	380V	3	720	8560-13124	442-368	≤ 65	
	380V	4	820	9854-13841	465-396	≤ 67	
	380V	5.5	930	10025-15524	680-586	≤ 70	
DT-20"	380V	3	560	8657-14321	386-292	≤ 64	221
	380V	4	610	9821-16420	420-313	≤ 65	
	380V	5.5	720	11025-18152	565-430	≤ 67	
	380V	7.5	800	14325-21423	719-608	≤ 73	

PRODUCT PARAMETERS

Model Number	Voltage (V)	Motor Power (kW)	RPM (r/min)	Air Volume (m³/h)	Full pressure (Pa)	Noise level (dB)A	Weight (kg)
DT-22"	380V	4	550	12001-17125	382-252	≤ 67	330
	380V	5.5	650	14126-19310	438-336	≤ 69	
	380V	7.5	720	17525-22652	586-413	≤ 73	
	380V	11	800	18501-25235	732-602	≤ 75	
DT-25"	380V	5.5	520	16621-23563	335-296	≤ 69	408
	380V	7.5	580	17936-26423	415-343	≤ 72	
	380V	11	650	22658-31005	540-441	≤ 74	
	380V	15	720	25126-37002	712-531	≤ 78	
DT-28"	380V	7.5	500	22108-34025	426-392	≤ 69	447
	380V	11	560	25551-38952	582-501	≤ 72	
	380V	15	650	28523-41212	693-642	≤ 75	
	380V	18.5	720	32036-45024	835-692	≤ 78	
DT-30"	380V	22	800	35102-48012	986-792	≤ 80	512
	380V	11	500	29025-46102	626-549	≤ 73	
	380V	15	560	31212-47256	692-584	≤ 76	
	380V	18.5	600	34265-49233	811-685	≤ 77	
DT-33"	380V	30	650	38947-57843	956-852	≤ 82	800
	380V	22	500	35521-54200	913-805	≤ 80	
	380V	11	400	31420-48632	525-421	≤ 74	
	380V	15	450	35862-51824	541-430	≤ 76	
DT-36"	380V	18.5	500	37102-55312	602-493	≤ 77	930
	380V	22	550	39865-58654	685-563	≤ 81	
	380V	30	600	41125-61865	755-683	≤ 84	
	380V	37	650	44002-66234	915-825	≤ 86	
	380V	15	350	38025-54210	401-316	≤ 73	
	380V	18.5	400	42025-59230	520-420	≤ 77	
DT-36"	380V	22	450	43025-63352	643-516	≤ 78	930
	380V	30	500	47528-65556	802-642	≤ 80	
	380V	37	550	52645-70629	985-775	≤ 83	
	380V	45	600	55725-74266	1123-912	≤ 86	